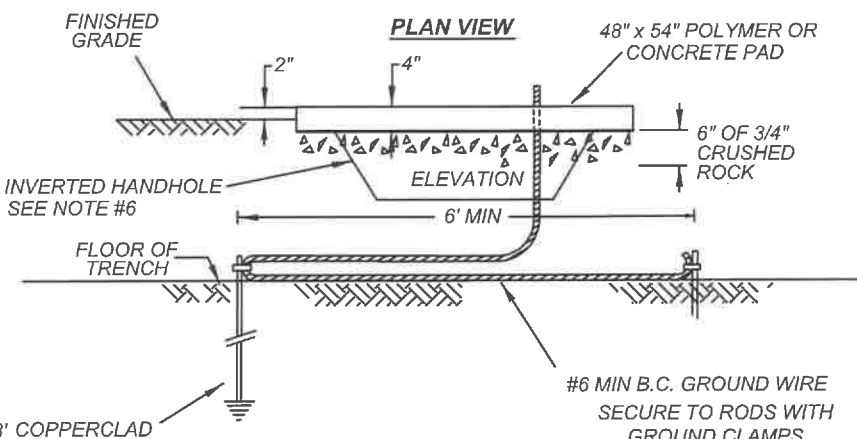
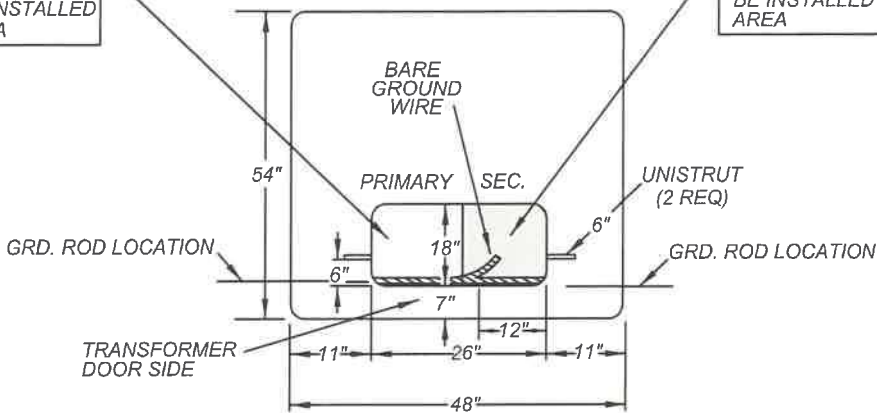


MORENO VALLEY STANDARD No MVEU-711A-0

**48" x 54" PAD FOR
PAD MOUNTED &
MINI PAD MOUNTED TRANSFORMER**

PAD MOUNTED & MINI PAD MOUNTED TRANSFORMERS
SECONDARY AREA
SECONDARY AND SERVICE
CABLES MUST BE INSTALLED
IN UNSHADED AREA

PAD MOUNTED & MINI PAD MOUNTED TRANSFORMERS
PRIMARY AREA
PRIMARY CABLES MUST
BE INSTALLED IN SHADED
AREA



*5/8" x 8" COPPERCLAD
STEEL GROUND ROD
2 REQUIRED, OR
MIN. 60' OF #6 BC ON
TRENCH FLOOR

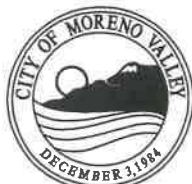
#6 MIN B.C. GROUND WIRE
SECURE TO RODS WITH
GROUND CLAMPS

*GROUNDING MATERIALS FURNISHED
AND INSTALLED BY CONTRACTOR.

NOTES:

1. 8' UNOBSTRUCTED FLAT WORKING CLEARANCE IS REQUIRED AT FRONT OF PAD. (MEASURED FROM EDGE OF PAD)
2. 3' UNOBSTRUCTED CLEARANCE IS REQUIRED AT BACK OF PAD. (MEASURED FROM EDGE OF PAD)
3. 3' CLEARANCE IS REQUIRED ON BOTH SIDES OF PAD. (MEASURED FROM EDGE OF PAD)
4. MASTIC SEALANT REQUIRED AT JOINTS AND GAPS AROUND TRANSFORMER ENCLOSURE.
5. SEE STDS MVEU-711B-0, MVEU-722-0, & MVEU-723-0 FOR ADDITIONAL DETAILS.
6. INVERTED HH 13"x24"x15" REQUIRED FOR ALL MINI PAD MOUNTED TRANSFORMERS AND ALL DUCT INSTALLATIONS

NOT TO SCALE



RECOMMENDED:
[Signature] 6-20-19
DIVISION MANAGER DATE
APPROVED:
[Signature] 7/30/19
PUBLIC WORKS DIRECTOR / DATE
CITY ENGINEER

CITY OF MORENO VALLEY
FINANCIAL & MANAGEMENT SERVICES DEPARTMENT - ELECTRIC UTILITY DIVISION

**48" x 54" PAD FOR PAD
MOUNTED & MINI PAD
MOUNTED TRANSFORMER**

STANDARD PLAN
MVEU-711A-0

SHEET 1 OF 1