



City of Moreno Valley Environmental Performance Report 2016 and 2017

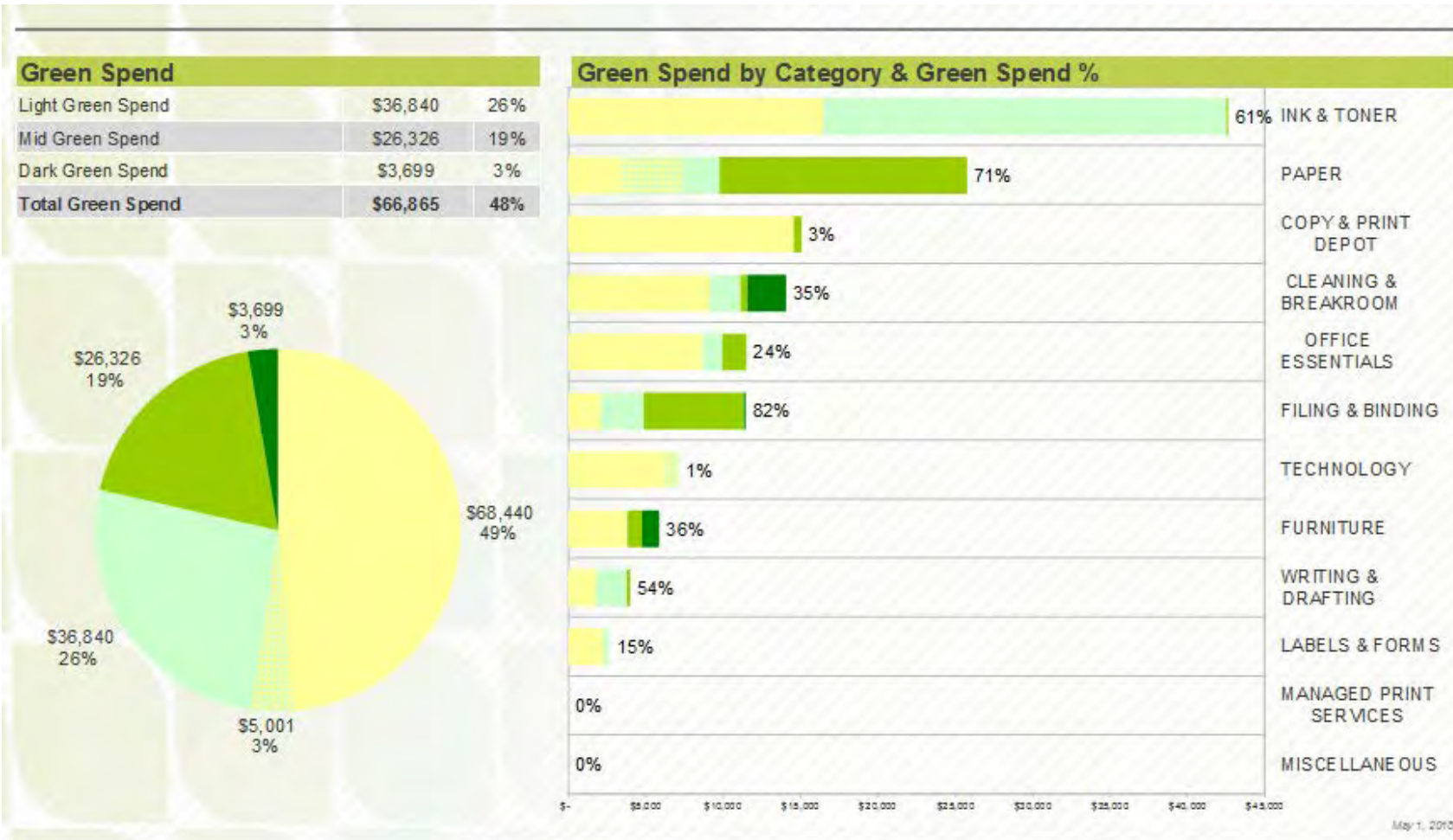
The following pages have data for the Environmental Performance Report for the City of Moreno Valley for 2016 and 2017. Data is included for eco ratings, total eco spend, ink and toner eco purchases, and paper eco purchases for both years. Following that is charts to show the total number of eco fleet vehicles and technology products combined for both years. After the data are fact sheets from Dell and Apple providing support that their products are Energy Star Compliant. All of this information supports the City of Moreno Valley's Environmental Procurement Policy and goals.



The above are the definitions Office Depot uses to label their green products. They can be seen throughout the Environmental Performance Report.

Environmental Performance Report 2016

Eco Ratings by Categories 2016



Total Spend 2016



Ink and Toner Purchases 2016



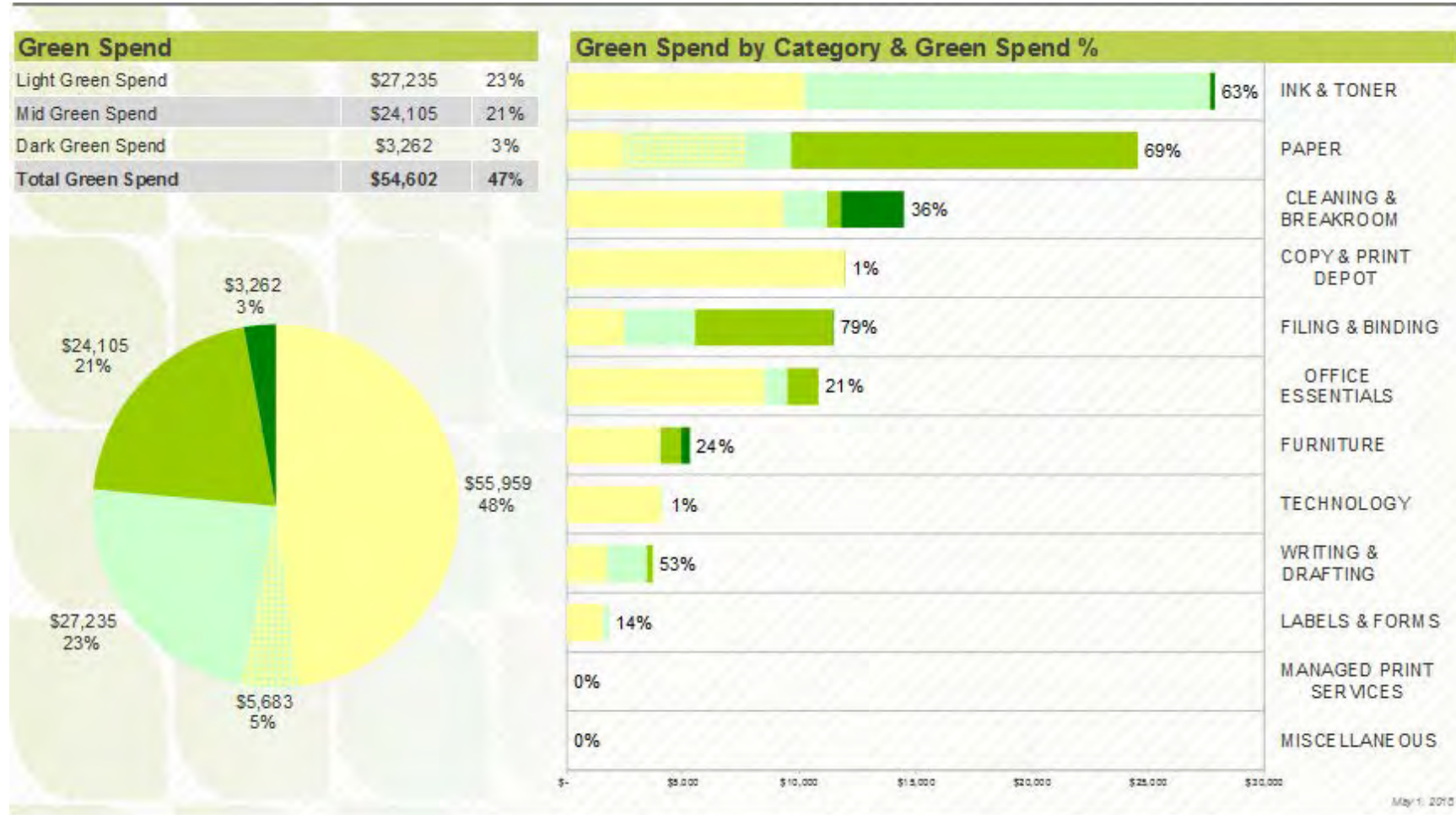
Paper Purchases 2016



	Not Green [Virgin / Not Certified]	Meets Norms [F1 or PEFC Virgin]	Light Green [F 5C or 10%25%PCR]	Mid Green [30%45%PCR]	Dark Green [50%-100%PCR]	Total Spend	Total Green Spend	Change
Q1 2016	\$416	\$1,045	\$231	\$3,887	\$0	\$5,579	\$4,119	N/A
Q2 2016	\$435	\$1,004	\$711	\$4,356	\$0	\$6,506	\$5,067	23%
Q3 2016	\$504	\$1,250	\$985	\$3,404	\$0	\$6,142	\$4,388	-13%
Q4 2016	\$488	\$745	\$370	\$4,344	\$0	\$5,948	\$4,715	7%

Environmental Performance Report 2017

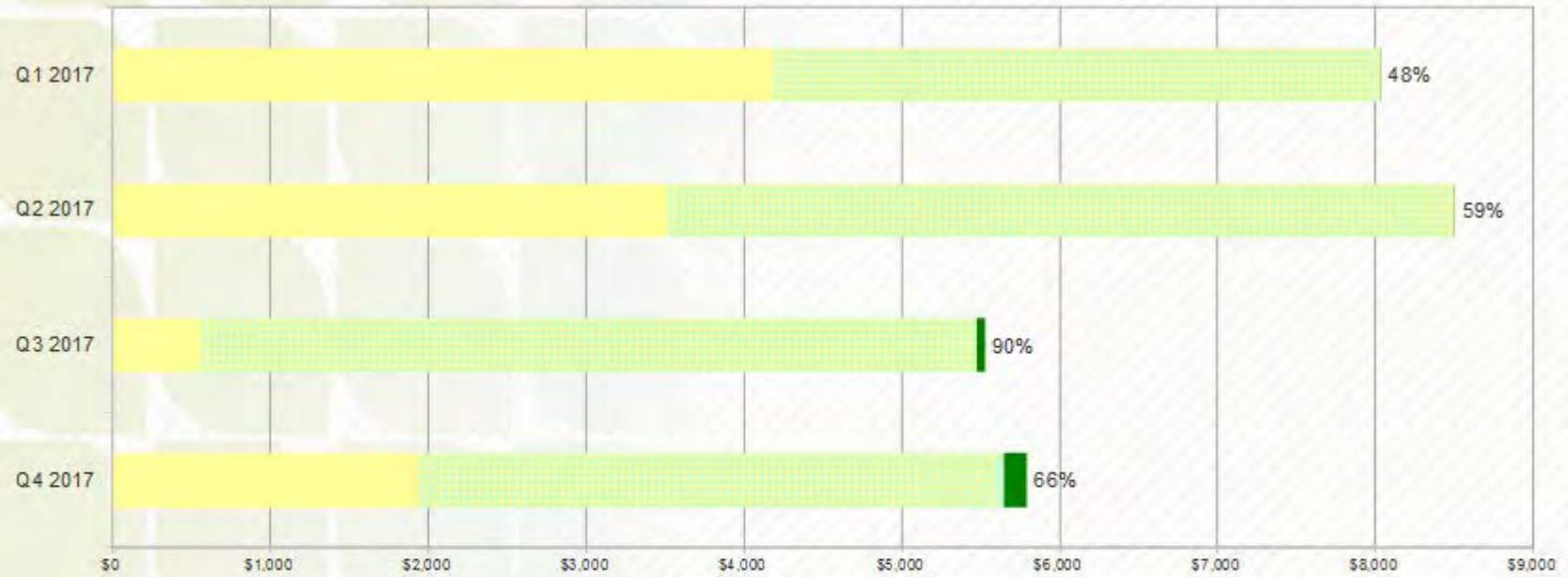
Eco Rating by Categories 2017



Total Spend 2017

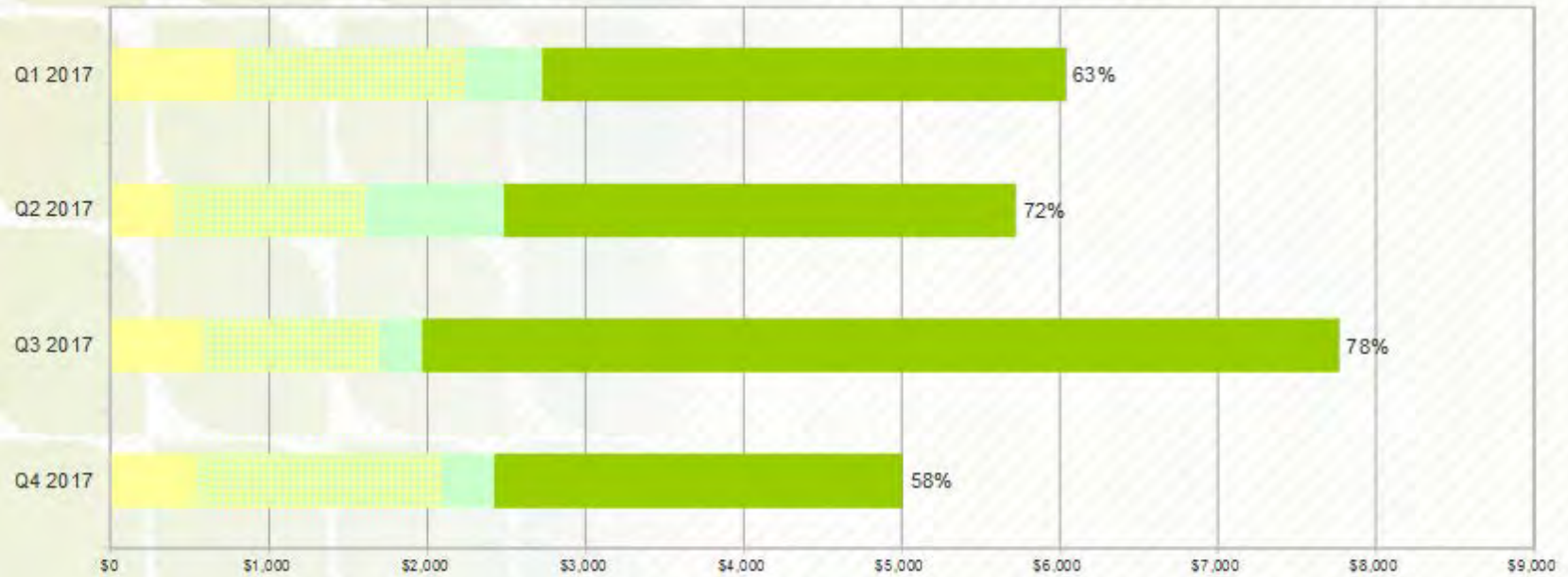


Ink and Toner Purchases 2017



	Not Green [Virgin Plastic]	Light Green [High Yield / Some PCR]	Mid Green [Mostly PCR]	Mid Green [Remanufactured]	Dark Green [Reman & Ecologo or Reman & High Yield]	Total Spend	Total Green Spend	Change
Q1 2017	\$4,176	\$3,854	\$0	\$0	\$0	\$8,030	\$3,854	N/A
Q2 2017	\$3,508	\$4,990	\$0	\$0	\$0	\$8,498	\$4,990	29%
Q3 2017	\$558	\$4,917	\$0	\$0	\$46	\$5,521	\$4,963	-1%
Q4 2017	\$1,940	\$3,656	\$53	\$0	\$138	\$5,787	\$3,847	-22%

Paper Purchases 2017



	Not Green (Virgin / Not Certified)	Meets Norms (SFI or PEFC Virgin)	Light Green (FSC or 10%25%PCR)	Md Green (30%50%PCR)	Dark Green (80%100%PCR)	Total Spend
Q1 2017	\$797	\$1,458	\$471	\$3,309	\$0	\$6,036
Q2 2017	\$388	\$1,225	\$872	\$3,238	\$0	\$5,723
Q3 2017	\$574	\$1,126	\$267	\$5,797	\$0	\$7,765
Q4 2017	\$534	\$1,574	\$318	\$2,577	\$0	\$5,003

Total Green Spend	Change
\$3,780	N/A
\$4,110	9%
\$6,065	48%
\$2,895	-52%

Vehicles and Technology Products Environmental Performance Report 2016/2017

Energy Efficient Vehicles	Total
CNG Powered	7
Street Sweeper	3
Vactor Truck	1
Dump Truck	2
Bus	1
Electric (Battery Powered)	1
Utility Truck	1

Energy Efficient Electronic	Total
Dell Products	1,608
Desk Top Computers	685
Laptops	116
Monitors	807
Apples	103
iPads	103



iPad Environmental Report



Date introduced
March 27, 2018

Environmental Status Report

iPad is designed with the following features to reduce environmental impact:

- Arsenic-free display glass
- Mercury-free LED-backlit display
- Brominated flame retardant-free
- PVC-free
- Beryllium-free
- Recyclable and low-carbon aluminum enclosure
- 100 percent of packaging fibers are sourced from responsibly managed forests, bamboo, waste sugarcane, or recycled paper



Meets ENERGY STAR®
Version 6.1 requirements



Achieves a Gold rating
from EPEAT³

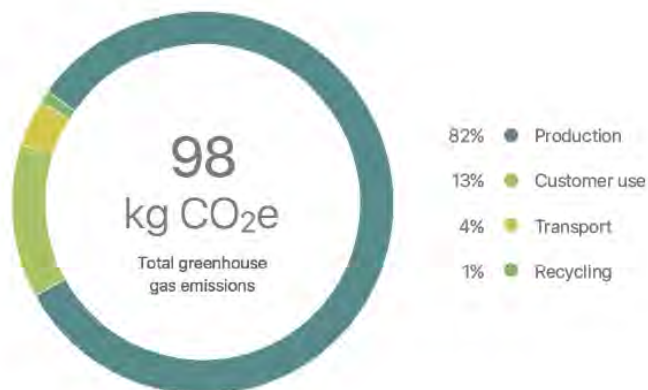
Apple and the Environment

Apple believes that improving the environmental performance of our business starts with our products. The careful environmental management of our products throughout their life cycles includes controlling the quantity and types of materials used in their manufacture, improving their energy efficiency, and designing them for better recyclability. The information below details the environmental performance of iPad as it relates to climate change, energy efficiency, material efficiency, and restricted substances.¹

Climate Change

Greenhouse gas emissions have an impact on the planet's balance of land, ocean, and air temperatures. Most of Apple's greenhouse gas emissions come from the production, transport, use, and recycling of our products. Apple seeks to minimize product-related greenhouse gas emissions by designing products to be as energy efficient as possible, sourcing materials with lower-carbon emissions, and partnering with suppliers to procure clean energy to power their facilities. For example, Apple utilizes aluminum that is smelted using hydroelectricity rather than fossil fuels, and has reengineered the manufacturing process to reincorporate scrap aluminum. As a result, the greenhouse gas emissions associated with the aluminum enclosure of iPad are 25 percent less than those of the previous-generation iPad. The chart below provides the estimated greenhouse gas emissions for iPad over its life cycle.²

Greenhouse Gas Emissions for iPad—32GB model (Wi-Fi)

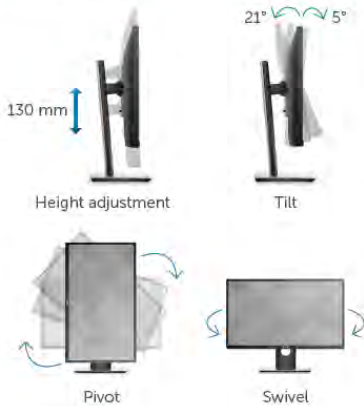


Model Number	Latitude 14 5000 Series (model: E5440)	Latitude 15 5000 Series (model: E5540)
Processor Options	4th Generation Intel® Core™ up to i7 processors	
Operating System	Microsoft® Windows® 7 Home Premium 32/64 bit; Microsoft® Windows® 7 Professional 32/64 bit; Microsoft® Windows® 7 Ultimate 32/64 bit; Microsoft® Windows® 7 Professional 64-bit (available through downgrade rights from Windows® 8.1 Pro 64-bit); Microsoft® Windows® 8.1 64-bit; Microsoft® Windows® 8.1 Pro 64-bit; Linux Ubuntu 12.04	
Memory ^{2,5} Options	DDR3L SDRAM 1600MHz; 2 slots supporting up to 16GB ¹	
Chipset	Integrated with the processor (Lynx Point-LP)	
Intel Responsiveness Technologies	Optional Intel® Rapid Start Technology ³ ; Optional Intel® Smart Response Technology ^{1,7} ; Optional Intel® Smart Connect Technology ⁸	
Graphics	Intel® Integrated HD Graphics 4400; Optional NVIDIA GeForce GT 720M 2GB Graphics	
Display	14" HD (1366x768) Anti-Glare LED-backlit display 14" HD+ (1600x900) Anti-Glare LED-backlit display 14" HD (1366x768) Touchscreen display 14" HD+ (1600x900) Touchscreen display	15.6" HD (1366x768) Anti-Glare LED-backlit display 15.6" FHD (1920x1080) Anti-Glare LED-backlit display 15.6" HD (1366x768) Touchscreen display 15.6" FHD (1920x1080) Touchscreen display
Storage ⁵ Options	Up to 500GB Standard Hard Disk Drive Up to 500GB Solid State Hybrid drive Up to 1TB Solid State Hybrid drive 500GB FIPS Self-Encrypting Drive ¹ ; Up to 256GB Solid State Drives; Dell Fast Response Free Fall Sensor and HDD Isolation(standard on the motherboard)	
Optical Drive Options	DVD-ROM, DVD+/-RW, No-Optical airbay	
Multimedia	High Quality Speakers; Stereo global headset jack; Optional, noise reducing array microphones; Optional HD video webcam and Dell Webcam Central software	
Battery Options	4-cell (40 Whr) Lithium Ion battery with ExpressCharge™; 6-cell (65 Whr)Lithium Ion battery with ExpressCharge™; 9-cell (97 Whr)Lithium Ion battery with ExpressCharge™	
Power Options	65 Watt or 90 Watt AC Adapter; 65W BFR/PVC Free AC Adapter; 90W Auto/Air DC adapter (optional)	
Connectivity Options	10/100/1000 Gigabit Ethernet; Optional Wireless LAN Options: Intel® Dual Band Wireless-AC 7260 + BT 4.0; Dell Wireless 1601 ¹ WiGig for Wireless docking, 802.11n 2x2 + BT 4.0; Dell Wireless 1506 (802.11g/n 1x1) Dell Wireless™ 5570 ¹⁰ HSPA + (42Mbps) Mini Card; Gobi™ 4G LTE Full Mini Card (Dell Wireless™ DW5808 for AT&T, Verizon Wireless and Sprint) ^{10a}	
Ports, Slots & Chassis	Stereo global headset jack; Memory card reader Docking connector, VGA, HDMI, USB3.0 (2), USB2.0 (1) Docking connector, VGA, HDMI, USB3.0 (2), USB2.0 (2) Network connector (RJ-45), SIM card slot; 1 full (WWAN) and one half (WLAN) card slots; Optional SmartCard Reader and optional Fingerprint Reader; Optional 54mm Express Card; Kensington slot	
Width	13.3" / 338.0mm	14.9" / 379.0mm
Height	1.1" / 28.6mm (non-touch); 1.3" / 32.2mm (touch)	1.2" / 29.7mm (non-touch); 1.3" / 33.6mm (touch)
Depth	9.3" / 235.0mm	9.9" / 250.5mm
Starting weight	4.37lbs / 1.98kg (with 4-cell battery and no-ODD)	5.06lbs / 2.3kg (with 4-cell battery and no-ODD)
Regulatory and Environmental Compliance	Regulatory Model: P44G Regulatory Type: P44G001 ENERGY STAR 5.2 (Windows OS); EPEAT Registered. For specific country participation and rating, please see www.epeat.net; BFR/PVC free ⁹	Regulatory Model: P35F Regulatory Type: P35F001
Input	Single Pointing non-backlit keyboard; Dual Pointing backlit keyboard; Multi-touch touchpad	
Systems Management	Intel® vPro™ Technology's advanced management features (optional, requires Intel WiFi® Link WLAN)Optional Intel® Small Business Advantage	
Warranty & Service	Limited Hardware Warranty ⁴ ; Standard 3-year On Site Service after Remote Diagnosis ¹¹ (3-3-3); Optional 3-year Dell ProSupport™ for IT ¹² ; 4 year and 5 year service and support options ¹²	

Learn more at Dell.com/Latitude.

- Some items will be available post-RTS. Offering may also vary by country and by configuration. For complete details, refer to the Technical Guidebook available on dell.com.
- A 64-bit operating system is required to support 4GB or more of system memory.
- Intel Rapid Start requires a Solid-State Drive (SSD) or Performance Hybrid drive.
- Limited Hardware Warranty: For copy of Limited Hardware Warranty, write Dell USA LP, Attn: Warranties, One Dell Way, Round Rock, TX 78682 or see www.dell.com/warranty.
- GB means 1 billion bytes and TB equals 1 trillion bytes; actual capacity varies with preloaded material and operating environment and will be less.
- Based on Dell lab testing using the following configuration: 6-cell battery, integrated Graphics, optical drive, 1G DDR3 memory and M-SATA drive. Weights vary depending on configuration and manufacturing variability.
- Intel Smart Response Technology requires a Performance Hybrid Drive as primary storage device.
- Intel Smart Connect requires an SSD and Intel WLAN. System must be on or in sleep mode with application running to update.
- Dell defines BFR/PVC Free as set forth in the Inemi Position Statement on the "definition of Low-Halogen Electronics BFR-/CFR-/PVC-free". Please see our corporate responsibility page at www.dell.com/environment for more information. Some external adapters, power cables and service parts are excluded from this definition unless specifically identified as BFR/PVC free.
- Mobile Broadband: Available in certain countries only. Subject to wireless provider's broadband subscription and coverage area; additional charges apply.
- Available in US & Canada only.
- Onsite Service after Remote Diagnosis: Remote Diagnosis is determination by online/phone technician of cause of issue; may involve customer access to inside of system and multiple or extended sessions. If issue is covered by Limited Hardware Warranty (www.dell.com/warranty) and not resolved remotely, technician and/or part will be dispatched, usually within 1 business day following completion of Remote Diagnosis. Availability varies. Other conditions apply. 12 Dell Services: Availability and terms of Dell Services vary by region. For more information, visit www.dell.com/servicesdescriptions.

Easily adjust the panel to your preferred viewing position.



Connectors



- A Power cable connector
- B HDMI
- C DisplayPort
- D VGA
- E USB upstream
- F USB downstream
- G Stand lock feature



What's in the box?

Components

- Monitor panel
- Stand (riser and base)

Cables

- Power cable (varies by country)
- VGA, DisplayPort, USB 3.0 upstream cables

Documentation

- Drivers and documentation media (CD)
- Quick Setup Guide
- Safety and regulatory information



Dell 24 Monitor | P2417H

Display

Model number	P2417H
Viewable image size (diagonal)	60.5 cm (23.8 inches)
Active display area	
Horizontal	527.04 mm (20.75 inches)
Vertical	296.46 mm (11.67 inches)
Maximum resolution	1920 x 1080 at 60 Hz
Aspect ratio	16:9
Pixel pitch	0.275 mm x 0.275 mm
Brightness (typical)	250 cd/m ²
Colour gamut (typical)	82% ¹
Colour depth	16.7 million colours
Contrast ratio (typical)	1000:1
Mega dynamic contrast ratio	4 million:1
Viewing angle (typical) (vertical/horizontal)	178°/178°
Response time (typical)	6 ms gray-to-gray (typical)
Panel technology, surface	In-plane switching
Backlight	LED
Bezel colour	Black

Connectivity

Connectors	DisplayPort 1.2, HDMI 1.4, VGA, 2 x USB 3.0 (side), 2 x USB 2.0 (bottom)
------------	--

Features

Stand	Tilt (Typical: 5° forward or 21° backward), pivot (90°), swivel (45°), height adjustable (130 mm)
Security	Security lock slot (security lock not included)
VESA mounting support (wall mount kit sold separately)	Dell Quick Release feature (100 x 100 mm)
Other	ComfortView, Dell DisplayManager with Easy Arrange, narrow bezel, stepped feature

Power

AC input voltage/frequency/current (typical)	100 to 240 VAC / 50 or 60 Hz ± 3 Hz / 1.5 A (typical)
Power consumption (normal operation)	19 W (typical) 39 W (Max.)
Power consumption (active-off mode)	< 0.3 W

Dimensions (with stand)

Height (compressed ~ extended)	362.1 mm ~ 492.1 mm (14.26 inches ~ 19.37 inches)
Width	549.8 mm (21.65 inches)
Depth	180.0 mm (7.09 inches)

Weight

Weight (panel only – no stand)	3.33 kg (7.32 lb)
Weight (with stand)	5.90 kg (12.98 lb)
Shipping weight	7.63 kg (16.78 lb)

Standard service plan

- 3 years Premium Panel Guarantee⁵
- 3 years Advanced Exchange Service³ and Limited Hardware Warranty⁴

Optional service upgrade

- Dell ProSupport⁷

Environmental compliance

ENERGY STAR[®], EPEAT[®] Gold², TCO Certified Displays, CEL, CECP, RoHS, WEEE, ErP (EuP) Standards, Korea E-Standby

^{*}Dell monitors are #1 worldwide for 3 consecutive years! Source: IHS Global Inc., Desktop Monitor Market Tracker (2013 to 2015) ID# G16000073

^{**}Registered in US and Canada only.

¹ Colour gamut (typical) is based on CIE1976 (82%) and CIE1931 (72%) test standards.

² EPEAT Gold registered in the U.S. EPEAT registration varies by country. See www.epeat.net for registration status by country.

³ Advanced Exchange Service: Replacement part/unit dispatched, if needed, following completion of phone/online diagnosis. Fee charged for failure to return defective unit. Availability varies. Other conditions apply.

⁴ For a copy of the Limited Hardware Warranty, write Dell Products, Dell House, The Boulevard, Cain Road, Bracknell, Berkshire, RG12 1LF, UK or see dell.com/warranty.

⁵ In the event you discover even one bright pixel during the Limited Hardware Warranty period, a free panel exchange is guaranteed. (see pixel panel info located on [Dell.com](http://dell.com) web page for complete details): <http://support.dell.com/support/topics/global.aspx/support/kcs/document?docid=414288>

⁶ ComfortView feature reduces blue light emission and brightness onscreen.

⁷ Includes 24x7 in-region phone support and replacement monitor shipped to you the next business day.

Product availability varies by country. Please contact your Dell representative for more information. Based on ID# G16000071 - dell.co.uk/monitors

Feature	Technical Specification
Series/Model Number	Latitude 15 3000 Series (3550)
Processor Options	5th Generation Intel® Celeron, Core™ up to i7 processors
Operating System	Microsoft® Windows® 7 Professional 32/64 bit Microsoft® Windows® 7 Professional 32/64-bit (available through downgrade rights from Windows®8.1 Pro 64-bit) Microsoft® Windows®8.1 64-bit Microsoft® Windows®8.1 Pro 64-bit Microsoft® Windows®8.1 Single Language 64-bit UBUNTU Linux 14.04 LTS (64-bit)
Memory ^{2,4} Options	DDR3L SDRAM 1600MHz; 2 slots supporting up to 16GB ¹
Chipset	Integrated with the processor
Graphics	Intel® Integrated HD Graphics (Celeron) Intel® Integrated HD Graphics 4400 (Core x - 4th Gen) Intel® Integrated HD Graphics 5500 (Core x - 5th Gen) Nvidia® GeForce® 830M
Display	15.6" HD (1366 x 768) Anti Glare (16:9) WLED 15.6" FHD (1920 x 1080) Anti Glare (16:9) WLED 15.6" HD Touch with Corning® Gorilla® Glass NBT (1366 x 768) (16:9) WLED
Storage ⁴ Options	500GB 7200RPM Hard Disk Drive 500GB Solid State Hybrid Drive (8GB Cache) 1TB 5400RPM Hard Disk Drive 1TB Solid State Hybrid Drive (8GB Cache)
Security ⁴	DDP Security Tools DDP Protected Workspace (1 year) Optional DDP E Encryption Software
Docking Options	USB Docking Only
Optical Drive Options	External Options Only
Multimedia	High Quality Speakers Universal Headphone Jack Integrated digital array microphone Integrated 1.0mp HD video webcam
Battery Options	3 cell 43 Whr Li-Ion (Prismatic cell) with ExpressCharge™ 4 cell 58 Whr Li-Ion (Prismatic cell) with ExpressCharge™
Power Options	65 Watt or 90 Watt E4 AC Adapter
Connectivity options	10/100/1000 Gigabit Ethernet Wireless LAN Options: Intel 7265 2x2 dual band 802.11 AGN with BT Combo Card Dell Wireless 1707 1x1 single band 802.11n + BT 4.0 (Early 2015) No Mobile Broadband Options
Ports, Slots & Chassis	Memory card reader 2 USB 3.0, 1 USB 2.0, HDMI, VGA Network connector (RJ-45) Optional Fingerprint Reader Lock slot
Dimensions & Weight ⁷	Width: 14.98" / 380.4mm Height: .88" / 22.3mm (non-Touch); .91" / 23.2mm (Touch) Depth: 10.19" / 258.95mm (non-Touch); 10.2" / 259.2mm (Touch) Starting weight: 4.9lbs / 2.2kg (with 3-cell battery)
Regulatory and Environmental Compliance	Regulatory Model: P38F Regulatory Type: P38F001 ENERGY STAR 6.0 (Windows OS) EPEAT Registered. For specific country participation and rating, please visit www.epeat.net
Input	Single Pointing non-backlit keyboard Optional Single Pointing backlit keyboard Clickpad Touchpad
Peripheral Ecosystem ¹	Dell Monitor Stand with Port Replicator, Dell 22" or 24" Monitor, Dell Wireless Keyboard & Mouse, Dell Professional Topload Carrying Case
Warranty and Service	Limited Hardware Warranty ³ ; Standard 1-year Mail-in Service after Remote Diagnosis ⁵ (3-3-3); Optional 3-year Dell ProSupport™ for IT ⁶ ; 4 year and 5 year service and support options ⁶

¹ Offering may vary by country and by configuration

² A 64-bit operating system is required to support 4GB or more of system memory

³ Limited Hardware Warranty: For copy of Limited Hardware Warranty, write Dell USA LP, Attn: Warranties, One Dell Way, Round Rock, TX 78682 or see www.dell.com/warranty

⁴ GB means 1 billion bytes and TB equals 1 trillion bytes; actual capacity varies with preloaded material and operating environment and will be less.

⁵ Onsite Service after Remote Diagnosis: Remote Diagnosis is determination by online/phone technician of cause of issue; may involve customer access to inside of system and multiple or extended sessions. If issue is covered by Limited Hardware Warranty (www.dell.com/warranty) and not resolved remotely, technician and/or part will be dispatched, usually within 1 business day following completion of Remote Diagnosis. Availability varies. Other conditions apply.

⁶ Dell Services: Availability and terms of Dell Services vary by region. For more information, visit www.dell.com/servicesdescriptions.

⁷ Weights vary depending on configuration and manufacturing variability.